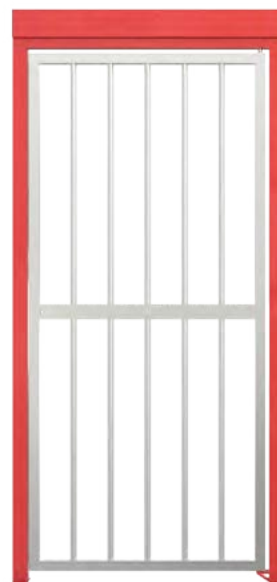
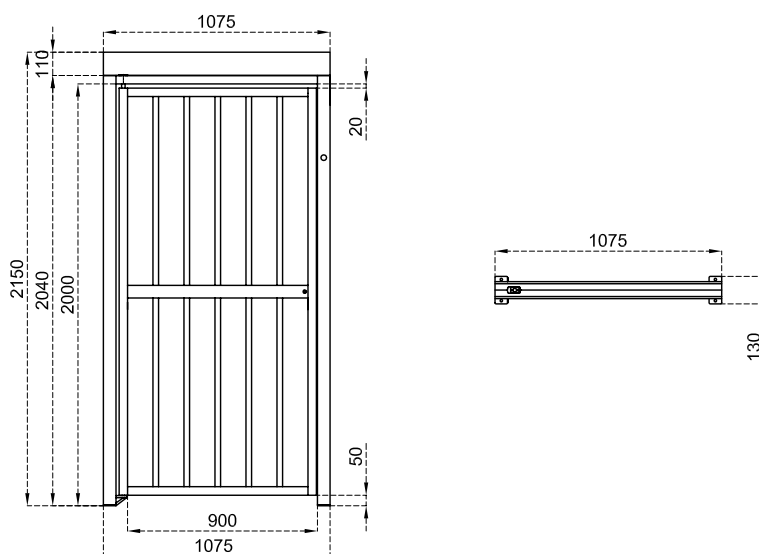




PEDESTRIAN GATE



Body Features	All parts of the construction are powder coated galvanised mild steel or 304-grade stainless steel, protected against water for outdoor use. Passage width: 900 mm. Complying to UK H&S regulations of max. 98 mm gap between upright profiles.
Wing	40 x 40 x 2 mm frame with \varnothing 27 x 2 mm upright bars and 40 x 60 x 2 mm horizontal center profile.
Power Requirements	24V DC. at standby 360 mA, at operation 900 mA.
Control System	Controlled by dry contact or grounding input. Compatible with all access control systems that provide dry contact or grounding outputs. Optional RS232/RS485/TCP IP control module is available.
IP Rating	IP 56
Minimum Passage Performance	\geq 15 million passages.
Optional Accessories and Applications	Electromagnetic lock with alert buzzer, green - red status indicators, automatic door closer, dead-bolt-lock, installation panels for various applications. Capability of using as emergency exit gate after adaptation.



**Design and specifications are subject to change without notice. *All dimensions are in mm.*